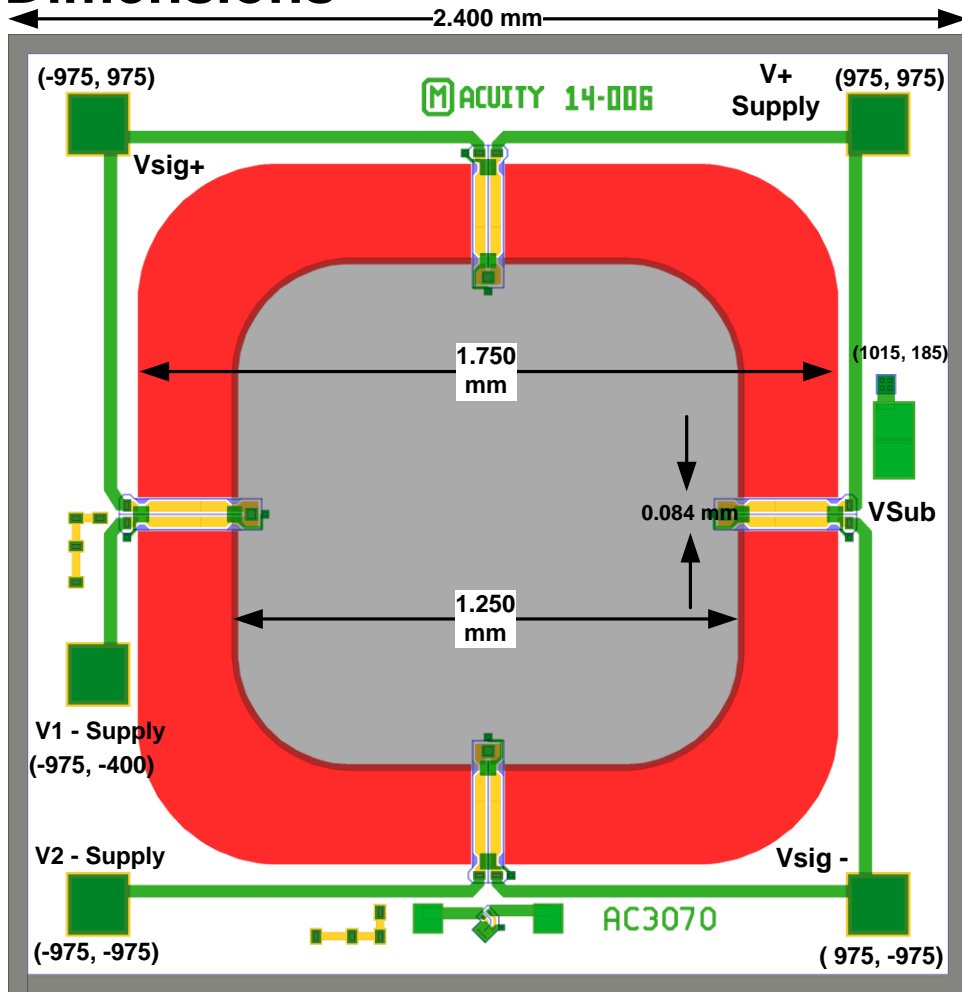
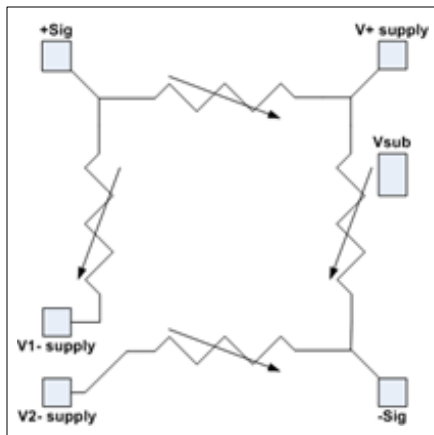
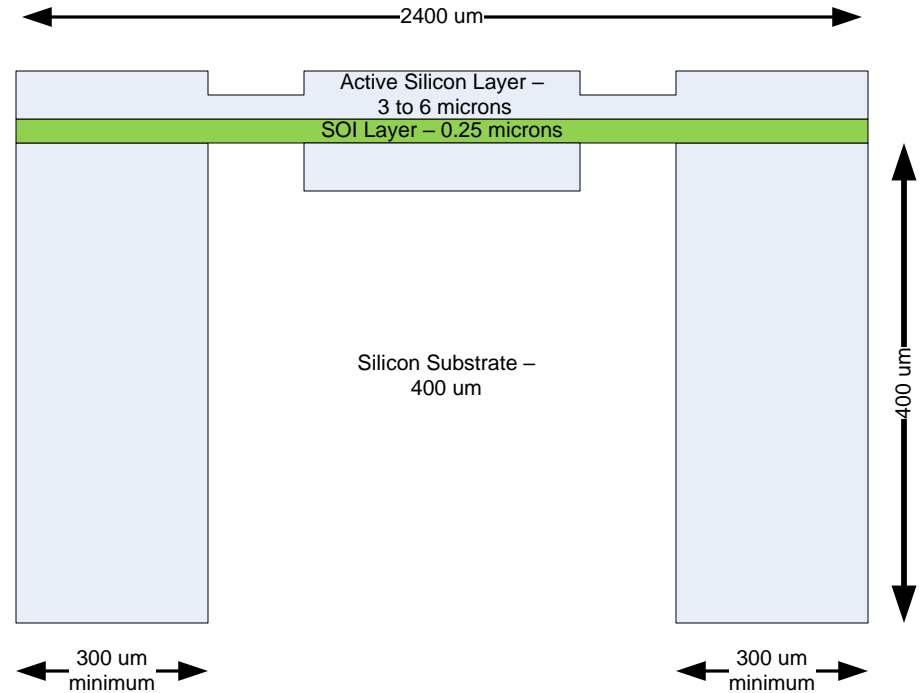


Dimensions



NOTE:

1. All dimensions are in microns.
2. + Signal increases and - Signal decreases when pressure is applied from the top of the die.
3. All Pads, with the exception of Vsub and 130 um square. The Vsub pad is 90 X 180 um
4. Acuity recommends wirebonding the VSUB connection to the V+ Supply connection.
5. Dimensions (XXX,YYY) are in microns from the center of the die



Equivalent Circuit and Pad-outs

Acuity Incorporated
Fremont CA 94539 USA
www.acuitymicro.com



Acuity Incorporated

AC3070 Series
Dimensions and Pin-outs

Date: 28 Oct 2015

By: HVAllen

Revision: A